

APOLLO

LIFT-TO-LOCK MPLS

Ensure privacy

Extremely secure & convenient

Every fingerprint is unique

No more lost keys

No more replacing locks

Simple DIY installation

Unlock from anywhere

Connect to smart home

FEATURES



Fingerprint



Passcode



Backup
Keys



Wi-Fi
(Optional)



Bluetooth
Enabled



Card



Smartphone
App



Simple Installation



Power Port

USES



Homeowners

Secure access for the family, share temporary keys with cleaners/guests, know when children are home safe



Landlords:

Secure rental properties, manage access from anywhere, stop replacing keys/locks.



Holiday Lets:

Temporary keys for guests, manage key codes and unlock from anywhere, receive notifications.



Small Businesses:

Keyless access to the office, up to 100 fingerprints, up to 250 passcode, fobs combined, activity log, delivery access etc.

MULTIPLE FINISHES



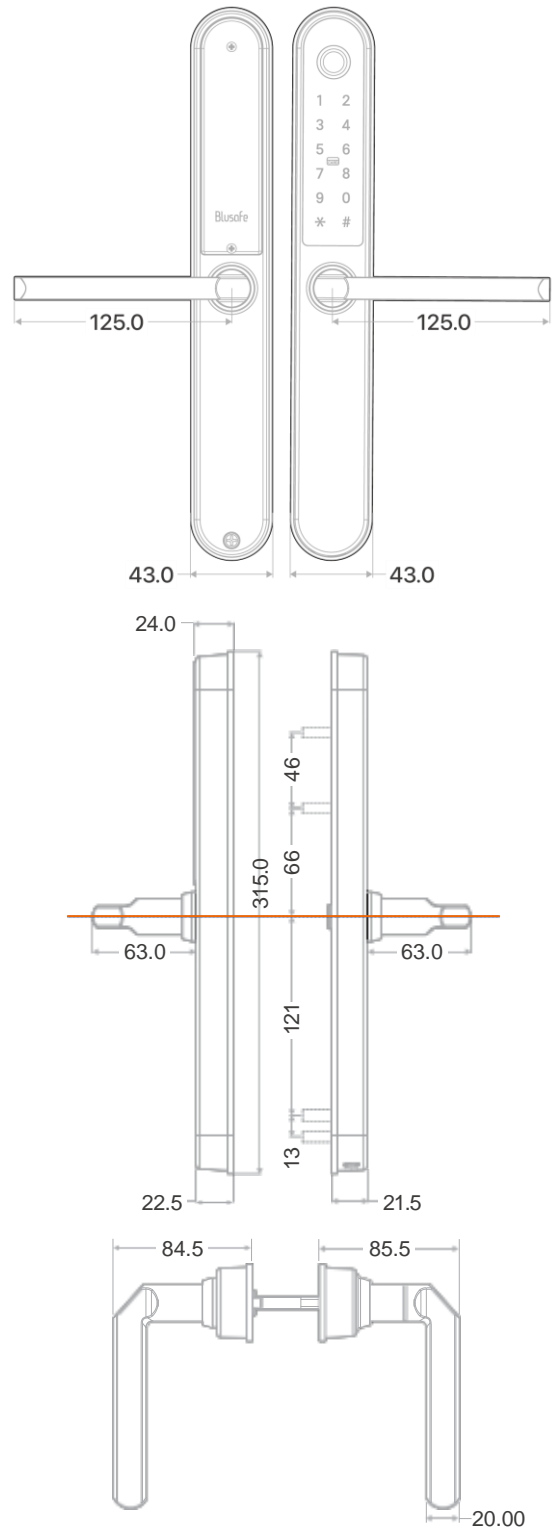
Silver



Black

TECHNICAL SPECIFICATION

Apollo



Unit: mm

Designed to fit doors 1 3/5" (40mm) — 3 9/16" (90mm) thick



TECHNICAL SPECIFICATION

Apollo

Standard	CE
IP Rating	IP65
Operating Temperature	-20°C ~ 60°C
Humidity	10% ~ 95%RH
Power	4x AA Alkaline batteries
Battery Life	>6 months
Backup Power	5V/1A Type C
Fingerprint	508dpi (Max fingerprint capacity 100)
RFID	2 x M1 cards (Max card capacity 1000)
Passcode	Max passcode capacity 250
App	Blusafe Smart App or Your own Enterprise App
Mechanical Keys	3 pcs
Wi-Fi	Wi-Fi capability with connect Wi-Fi Bridge (sold separately)
Smart Platforms	Customizable to your preference
Finish	Black/Silver
Use	Entry doors using a lever operated multi-point lock
Lock Type	Lift-to-lock multi-point locks
Door Thickness	40-90mm
Low Battery Warning	≤4.8V
System Requirements	iOS (11.0 or higher) or Android (6.0 or higher) smart devices