

# BREEZE

FOR INTERNAL LATCHES



Ensure privacy

More secure

Extremely convenient

Unique fingerprint

Simple to install for DIY

Keyless fire exit

No replacing locks for lost keys



## FEATURES



Up to 50 fingerprints



2 Backup Keys



Up to 6 months battery life



Micro-USB emergency power port

## USES



### Landlords of Shared / Student Accommodation

Secure tenants bedroom doors



### Homeowner Internal Doors

Home offices, keep the kids out of the bedroom



### Small Businesses

Secure rooms and give certain employee access

## MULTIPLE FINISHES

### Circular/Rose or Long backplate options

Long backplate will cover old screw holes for retro-fitting



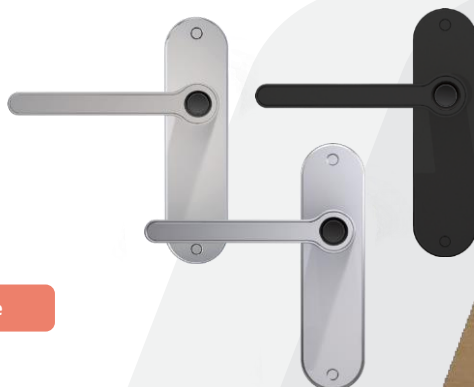
Chrome



Black

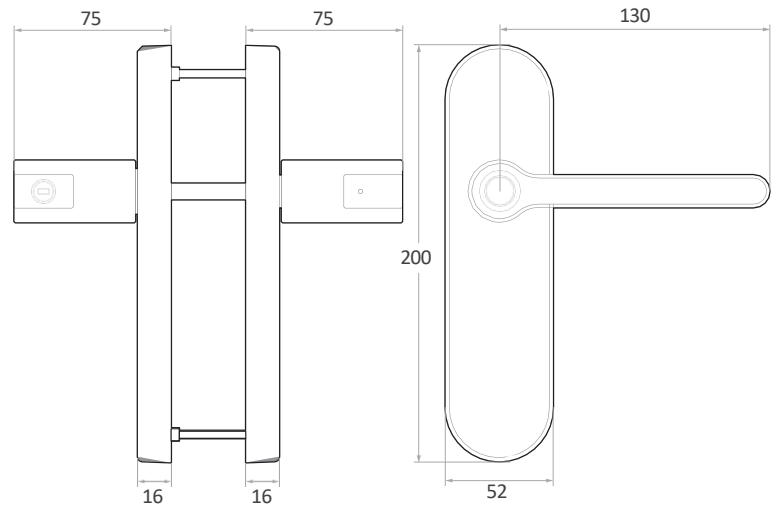
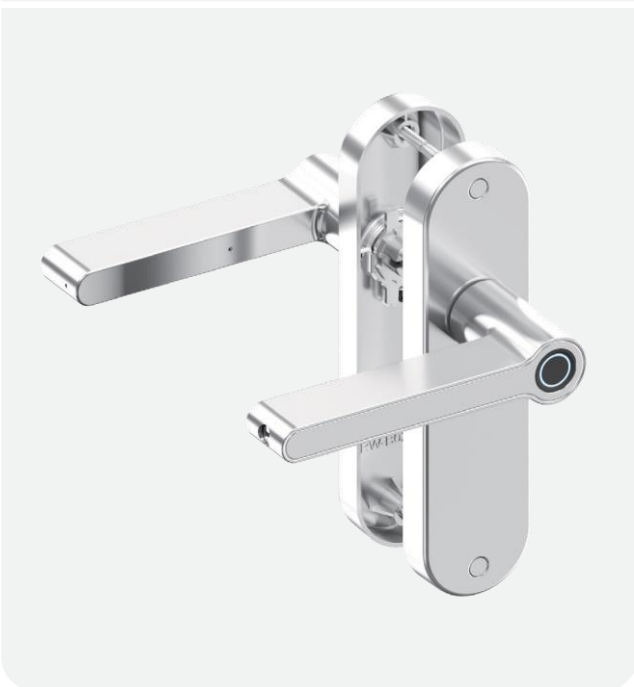
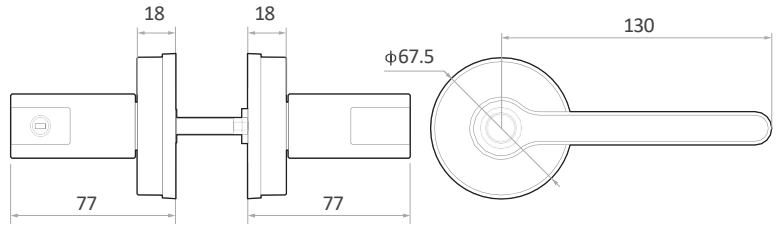
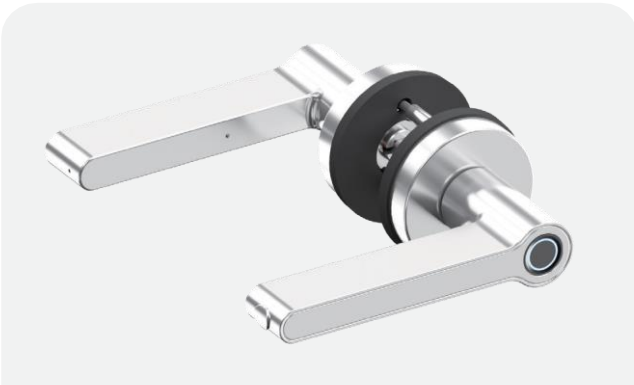


Satin Chrome



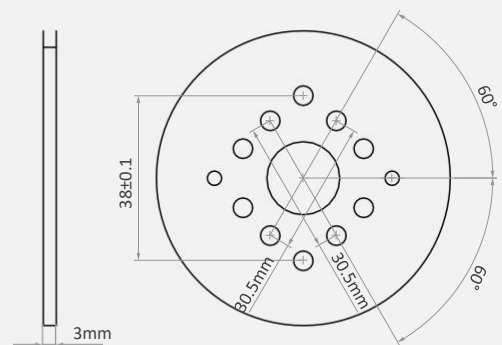
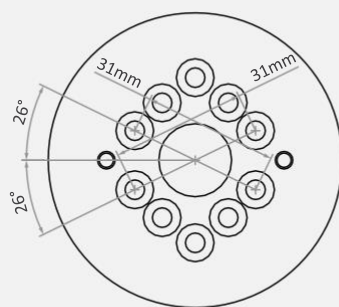
# TECHNICAL SPECIFICATION

Blusafe Breeze



Unit: mm

\*There are also rosette version available for German and Nordic standard prep holes.



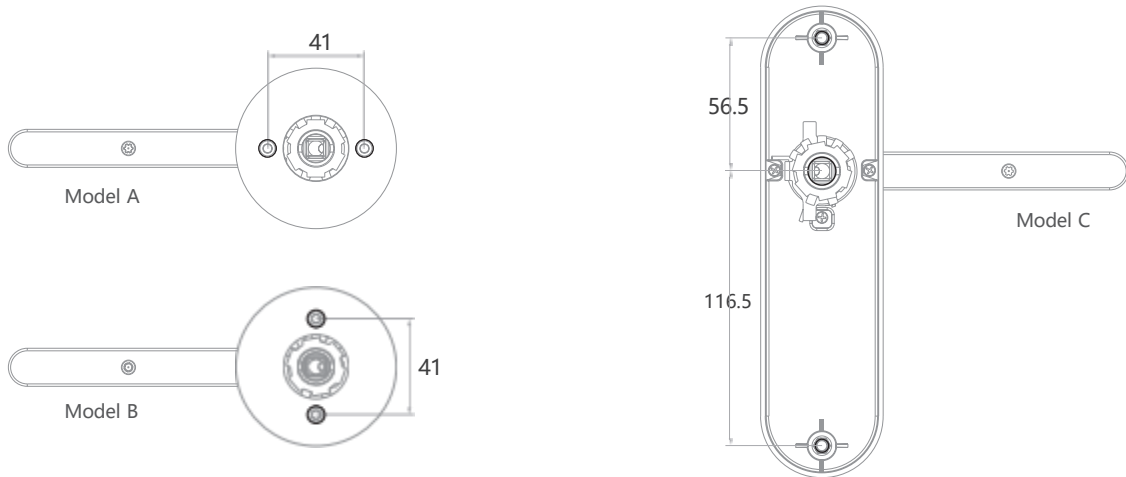
[www.blusafesolutions.co.uk](http://www.blusafesolutions.co.uk)

Designed to fit doors 1 2/5" (35mm) — 1 4/5" (45mm) thick



# TECHNICAL SPECIFICATION

## Blusafe Breeze



Unit: mm

IP Rating	IP60
Operating Temperature	-20°C ~ 60°C
Humidity	10% ~ 95%RH
Power	4 x AAA Alkaline batteries
Battery Life	>6 months
Backup Power	5V/1A Micro USB
Fingerprint	508dpi(Max fingerprint capacity 50)
Mechanical Keys	2 pcs
Finish	Satin Chrome / Chrome / Black
Use	Interior doors using a deadbolt or a latch
Lock Type	Deadbolt / Latch
Door Thickness	35-45mm
Low Battery Warning	≤ 4.8V